



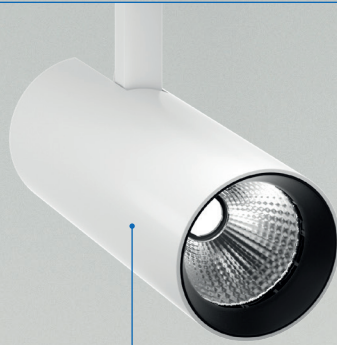
planlicht



zenit
FOCUS



zenit L
Ø 120 mm
L=250 mm



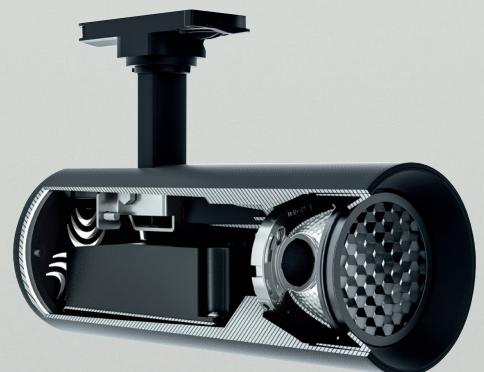
zenit M
Ø 80 mm
L=200 mm

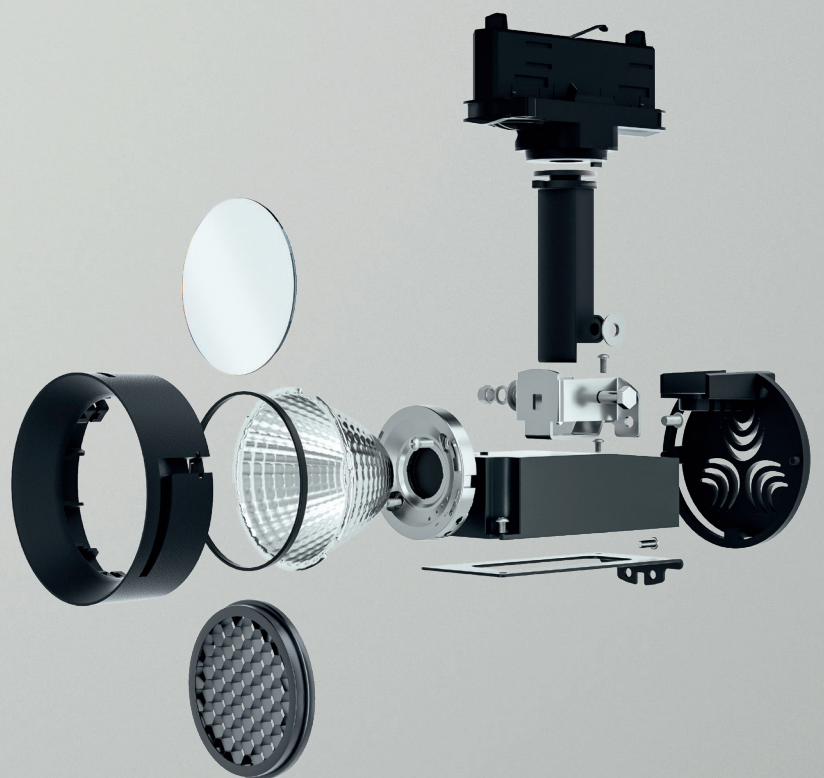


zenit S
Ø 58 mm
L=100 mm



zenit XS
Ø 40 mm
L=70 mm





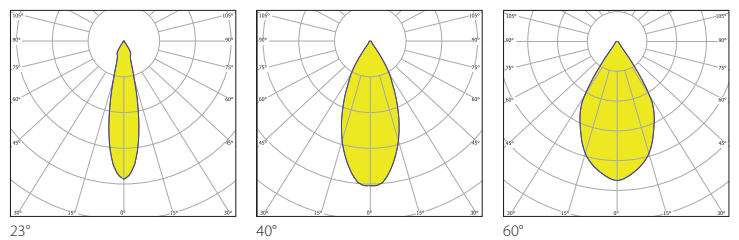
zenit L

Strahler | Spotlight | Projecteur | Proiettore



Flexibility: rotatable up to 355°, adjustable up to 90°

Reflektortausch via Bajonettverschluss werkzeuglos möglich.
 Passive Kühlung. Komplettrahler inklusive Reflektor und Konverter.
 Replacement of the reflector without any tools through the bayonet fastener.
 Passive cooling. Complete spotlight including reflector and converter.
 Remplacement du réflecteur sans outil grâce à la fermeture à baionnette.
 Refroidissement passif. Projecteur complet incluant réflecteur et convertisseur.
 Sostituzione del riflettore senza utensili grazie al sistema di fissaggio a baionetta.
 Raffreddamento passivo. Proiettore completo incluso riflettore e convertitore.



Housing

Powder coated die-cast aluminium

230V IP20 $R_g > 80/90$ up to L90/50.000h MacAdam 3 DALI



LED

2700K, 3000K, 3500K, 4000K
 Food & Fashion | Aliments & Mode

up to 131 lm/W

$R_g > 80/90$, MacAdam 3

non-dim/DALI dim

Blue light hazard: $RG \leq 1$ IEC 62471

Lifetime

up to L90/50.000 h

Optic

Reflector: 23°, 40°, 60°

Options

Honeycomb glare protection, Oval spot lens, Clear protective glass, Blur glass

Flexibility

rotatable up to 355°, adjustable up to 90°



1 Gehäusefarbe | Housing colour | Couleur du luminaire | Colore profilo

weiß white blanc bianco	WSWS
schwarz black noir nero	SWSW

2 Farbtemperatur | Colour temperature | Température de couleur | Temperatura colore

LF830 3000K	830
LF840 4000K	840
LF927 2700K	927
LF930 3000K	930
LF935 3500K	935
LF940 4000K	940
LF932 3250K Fashion	FAS
Backwaren Bakery goods Boulangerie Prodotti da forno	BAC
Fleisch Meat Boucherie Macelleria	FLE
Wurstwaren Sausage products Charcuterie Salumeria	WUR
Fisch Fish Poissonnerie Pescheria	FIS

3 Output

low output	L
medium output	M
high output	H

4 non-dim, DALI dim

non-dim	1
DALI Eutrac 3	3
DALI Global pulse	G

5 Reflektor | Reflector | Réflecteur | Riflettore

23°	2
40°	4
60°	6

Beispiel | Example | Exemple | Esempio

weiß | white | blanc, LF940, high output, DALI dim, 23°

S10S250-WSWSC1940H32

Luminous Flux (lm)	low output			medium output			high output		
	23°	23°	23°	40°	40°	40°	60°	60°	60°
LF830 3000K	2390 lm	2970 lm	3668 lm	2328 lm	2899 lm	3588 lm	2298 lm	2859 lm	3537 lm
LF840 4000K	2623 lm	3252 lm	4000 lm	2549 lm	3148 lm	3852 lm	2520 lm	3115 lm	3814 lm
LF927 2700K	1786 lm	2231 lm	2767 lm	1724 lm	2149 lm	2661 lm	1689 lm	2104 lm	2606 lm
LF930 3000K	1995 lm	2482 lm	3066 lm	1864 lm	2320 lm	2869 lm	1851 lm	2308 lm	2859 lm
LF935 3500K	2020 lm	2517 lm	3115 lm	1893 lm	2357 lm	2915 lm	1868 lm	2333 lm	2896 lm
LF940 4000K	2043 lm	2568 lm	3216 lm	1939 lm	2427 lm	3022 lm	1933 lm	2404 lm	2968 lm

Luminous Flux (lm) Special LED modules	low output			medium output			high output		
	23°	23°	23°	40°	40°	40°	60°	60°	60°
Backwaren Bakery goods Boulangerie	1298 lm	1645 lm	2082 lm	1248 lm	1583 lm	2007 lm	1236 lm	1559 lm	1963 lm
Fleisch Meat Boucherie	1356 lm	1675 lm	2049 lm	1309 lm	1615 lm	1976 lm	1278 lm	1578 lm	1930 lm
Wurstwaren Sausage products Charcuterie	1294 lm	1544 lm	1802 lm	1247 lm	1483 lm	1722 lm	1221 lm	1458 lm	1704 lm
Fisch Fish Poissonnerie	2021 lm	2503 lm	3075 lm	1943 lm	2408 lm	2958 lm	1902 lm	2359 lm	2905 lm
Fashion (LF932 3250K)	1918 lm	2366 lm	2892 lm	1853 lm	2291 lm	2807 lm	1836 lm	2268 lm	2778 lm

System Power (W)	low output	medium output	high output
zenit L	20W	26W	32W

Weight (kg)
zenit L 1,78 kg

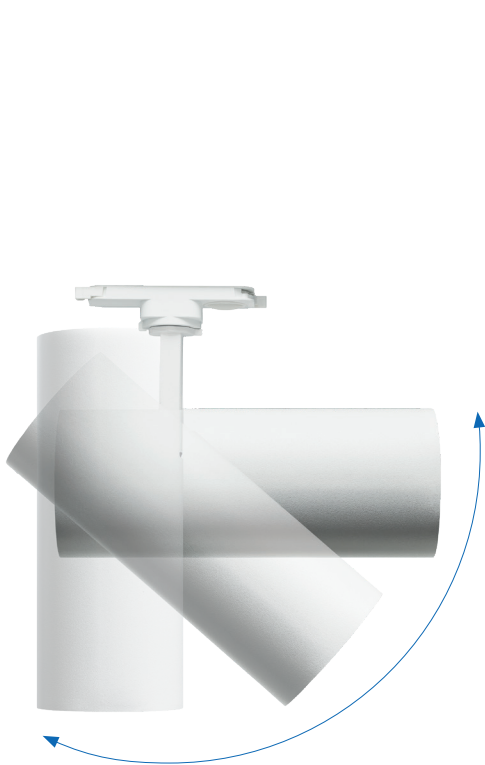


Optionales Zubehör | Optional accessory | Accessoire optionnel | Accessori opzionali

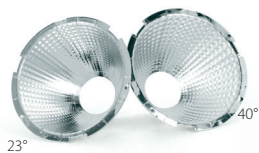
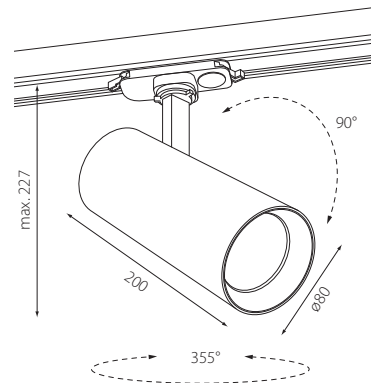
Blendschutz-Wabenraster Honeycomb glare protection Filtre anti-éblouissement nid d'abeilles Filtro anti-abbagliamento a nido d'ape	S10-BLE-120
Ovalzeichnerlinse Oval spot lens Lentille ovalisante Lenti ovalizzanti	S10-OZL-120
Klares Schutzglas Clear protective glass Verre de protection transparent Vetro di protezione trasparente	S10-SGL-120
Weichzeichnerglas Blur glass Verre effet flou Vetro con effetto sfocatura	S10-WGL-120

zenit M

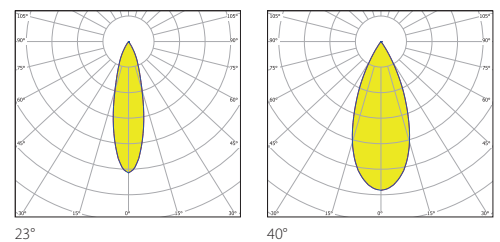
Strahler | Spotlight | Projecteur | Proiettore



Flexibility: rotatable up to 355°, adjustable up to 90°



Reflektortausch via Bajonettverschluss werkzeuglos möglich.
 Passive Kühlung. Komplettrahler inklusive Reflektor und Konverter.
 Replacement of the reflector without any tools through the bayonet fastener.
 Passive cooling. Complete spotlight including reflector and converter.
 Remplacement du réflecteur sans outil grâce à la fermeture à baionnette.
 Refroidissement passif. Projecteur complet incluant réflecteur et convertisseur.
 Sostituzione del riflettore senza utensili grazie al sistema di fissaggio a baionetta.
 Raffreddamento passivo. Proiettore completo incluso riflettore e convertitore.



Housing

Powder coated die-cast aluminium

230V IP20 R_a>80/90 up to L90/50.000h MacAdam 3 DALI



LED

2700 K, 3000 K, 3500 K, 4000 K
 Food & Fashion | Aliments & Mode

up to 122 lm/W

R_a>80/90, MacAdam 3

non-dim / DALI dim

Blue light hazard: RG≤1 IEC 62471

Lifetime

up to L90/50.000 h

Optic

Reflector: 23°, 40°

Options

Honeycomb glare protection, Oval spot lens, Clear protective glass, Blur glass

Flexibility

rotatable up to 355°, adjustable up to 90°



1 Gehäusefarbe | Housing colour | Couleur du luminaire | Colore profilo

weiß white blanc bianco	WSWS
schwarz black noir nero	SWSW

2 Farbtemperatur | Colour temperature | Température de couleur | Temperatura colore

LF830 3000 K	830
LF840 4000 K	840
LF927 2700 K	927
LF930 3000 K	930
LF935 3500 K	935
LF940 4000 K	940
LF932 3250 K Fashion	FAS
Backwaren Bakery goods Boulangerie Prodotti da forno	BAC
Fleisch Meat Boucherie Macelleria	FLE
Wurstwaren Sausage products Charcuterie Salumeria	WUR
Fisch Fish Poissonnerie Pescheria	FIS

3 Output

low output	L
medium output	M
high output	H
very high output	V

4 non-dim, DALI dim

non-dim	1
DALI Eutrac 3	3
DALI Global pulse	G

5 Reflektor | Reflector | Réflecteur | Riflettore

23°	2
40°	4

Beispiel | Example | Exemple | Esempio

weiß | white | blanc, LF940, high output, DALI dim, 23°

S10S200-WSWC1940H32

Luminous Flux (lm)	low output				medium output				high output				very high output			
	23°				23°				23°				23°			
LF830 3000K	1013 lm	1254 lm	1810 lm	2407 lm	1005 lm	1243 lm	1787 lm	2377 lm	1005 lm	1243 lm	1787 lm	2377 lm	1005 lm	1243 lm	1787 lm	2377 lm
LF840 4000K	1102 lm	1360 lm	1956 lm	2601 lm	1060 lm	1324 lm	1948 lm	2590 lm	1060 lm	1324 lm	1948 lm	2590 lm	1060 lm	1324 lm	1948 lm	2590 lm
LF927 2700K	716 lm	884 lm	1269 lm	1732 lm	697 lm	865 lm	1259 lm	1728 lm	697 lm	865 lm	1259 lm	1728 lm	697 lm	865 lm	1259 lm	1728 lm
LF930 3000K	782 lm	970 lm	1409 lm	1919 lm	771 lm	956 lm	1386 lm	1889 lm	771 lm	956 lm	1386 lm	1889 lm	771 lm	956 lm	1386 lm	1889 lm
LF935 3500K	776 lm	964 lm	1407 lm	1926 lm	767 lm	953 lm	1392 lm	1889 lm	767 lm	953 lm	1392 lm	1889 lm	767 lm	953 lm	1392 lm	1889 lm
LF940 4000K	813 lm	1009 lm	1465 lm	2012 lm	799 lm	993 lm	1449 lm	1983 lm	799 lm	993 lm	1449 lm	1983 lm	799 lm	993 lm	1449 lm	1983 lm

Luminous Flux (lm) Special LED modules	low output				medium output				high output				very high output			
	23°				23°				23°				23°			
Backwaren Bakery goods Boulangerie	574 lm	708 lm	1013 lm	1350 lm	568 lm	699 lm	993 lm	1317 lm	568 lm	699 lm	993 lm	1317 lm	568 lm	699 lm	993 lm	1317 lm
Fleisch Meat Boucherie	555 lm	685 lm	982 lm	1306 lm	551 lm	678 lm	963 lm	1281 lm	551 lm	678 lm	963 lm	1281 lm	551 lm	678 lm	963 lm	1281 lm
Wurstwaren Sausage products Charcuterie	538 lm	659 lm	930 lm	1229 lm	521 lm	644 lm	925 lm	1218 lm	521 lm	644 lm	925 lm	1218 lm	521 lm	644 lm	925 lm	1218 lm
Fisch Fish Poissonnerie	807 lm	1001 lm	1454 lm	1966 lm	788 lm	978 lm	1421 lm	1913 lm	788 lm	978 lm	1421 lm	1913 lm	788 lm	978 lm	1421 lm	1913 lm
Fashion (LF932 3250 K)	775 lm	958 lm	1375 lm	1829 lm	757 lm	936 lm	1344 lm	1787 lm	757 lm	936 lm	1344 lm	1787 lm	757 lm	936 lm	1344 lm	1787 lm

System Power (W)	low output	medium output	high output	very high output
zenit M	9W	12W	17,5W	25W

Weight (kg)
zenit M 1,0 kg



Optionales Zubehör | Optional accessory | Accessoire optionnel | Accessori opzionali

Blendschutz-Wabenraster Honeycomb glare protection Filtre anti-éblouissement nid d'abeilles Filtro anti-abbagliamento a nido d'ape	S10-BLE-80
Ovalzeichnerlinse Oval spot lens Lentille ovalisante Lenti ovalizzanti	S10-OZL-80
Klares Schutzglas Clear protective glass Verre de protection transparent Vetro di protezione trasparente	S10-SGL-80
Weichzeichnerglas Blur glass Verre effet flou Vetro con effetto sfocatura	S10-WGL-80

in use ...

zenit M

→ Würth Modyf, Germany

Lighting Design:
Hans-Peter Beutelspacher
Büro für Lichtgestaltung, Stuttgart





zenit S

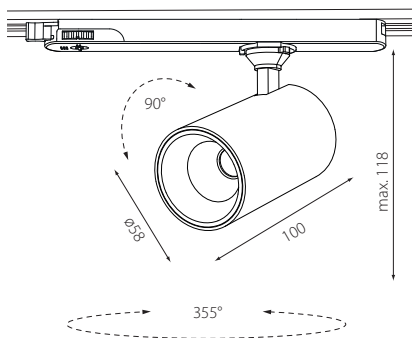
Strahler | Spotlight | Projecteur | Proiettore



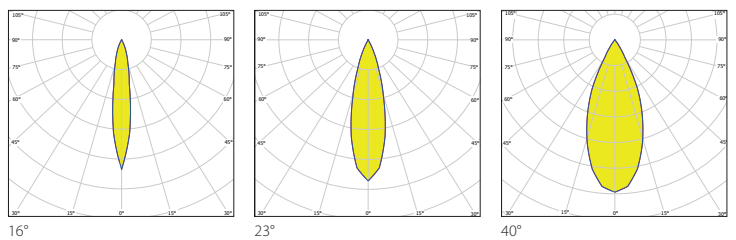
Flexibility: rotatable up to 355°, adjustable up to 90°



Driver in track



Reflektortausch werkzeuglos möglich.
 Passive Kühlung. Komplettrahler inklusive Reflektor und Konverter.
 Replacement of the reflector without any tools.
 Passive cooling. Complete spotlight including reflector and converter.
 Remplacement du réflecteur sans outil.
 Refroidissement passif. Projecteur complet incluant réflecteur et convertisseur.
 Sostituzione del riflettore senza utensili.
 Raffreddamento passivo. Proiettore completo incluso riflettore e convertitore.



Housing

Powder coated die-cast aluminium

230V IP20 $R_g > 80/90$ up to L90/50.000h MacAdam 3



LED

2700K, 3000K, 3500K, 4000K

up to 117lm/W

$R_g > 80/90$, MacAdam 3

non-dim

Blue light hazard: $RG \leq 1$ IEC 62471

Lifetime

up to L90/50.000h

Optic

Reflector: 16°, 23°, 40°

Options

Honeycomb glare protection, Oval spot lens, Clear protective glass, Blur glass

Flexibility

rotatable up to 355°, adjustable up to 90°



1 Entblendvorsatz | Anti-glare attachment
Module anti-éblouissement | Modulo anti-abbagliamento

gold gold oro	GD
schwarz black noir nero	SW

2 Gehäusefarbe | Housing colour | Couleur du luminaire | Colore profilo

weiß white blanc bianco	WS
schwarz black noir nero	SW

3 Farbtemperatur | Colour temperature | Température de couleur | Temperatura colore

LF830 3000K	830
LF840 4000K	840
LF927 2700K	927
LF930 3000K	930
LF935 3500K	935
LF940 4000K	940

4 Output

low output	L
high output	H

5 non-dim

non-dim	1
---------	---

6 Reflektor | Reflector | Réflecteur | Riflettore

16°	1
23°	2
40°	4

Beispiel | Example | Exemple | Esempio

weiß | white | blanc, LF940, high output, non-dim, 23°

S10S100-GDWSC1940H12

Luminous Flux (lm)	low output		high output		low output		high output		low output		high output	
	16°		16°		23°		23°		40°		40°	
	gold	black	gold	black	gold	black	gold	black	gold	black	gold	black
LF830 3000K	820 lm	796 lm	1161 lm	1127 lm	784 lm	761 lm	1112 lm	1079 lm	768 lm	746 lm	1088 lm	1056 lm
LF840 4000K	859 lm	834 lm	1217 lm	1181 lm	825 lm	801 lm	1172 lm	1138 lm	803 lm	779 lm	1139 lm	1106 lm
LF927 2700K	644 lm	625 lm	913 lm	887 lm	623 lm	605 lm	881 lm	855 lm	609 lm	591 lm	862 lm	837 lm
LF930 3000K	672 lm	653 lm	933 lm	906 lm	646 lm	627 lm	903 lm	877 lm	631 lm	613 lm	878 lm	852 lm
LF935 3500K	704 lm	683 lm	987 lm	958 lm	679 lm	659 lm	952 lm	924 lm	660 lm	641 lm	925 lm	898 lm
LF940 4000K	713 lm	692 lm	988 lm	960 lm	686 lm	666 lm	943 lm	916 lm	667 lm	647 lm	921 lm	895 lm

System Power (W)

zenit S	low output	high output
	7W	11W

Weight (kg)

zenit S	0,3kg
---------	-------



Optionales Zubehör | Optional accessory | Accessoire optionnel | Accessori opzionali

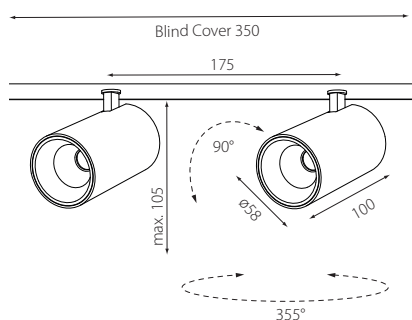
Blendschutz-Wabenraster Honeycomb glare protection Filtre anti-éblouissement nid d'abeilles Filtro anti-abbagliamento a nido d'ape	S10-BLE-58
Ovalzeichnerlinse Oval spot lens Lentille ovalisante Lenti ovalizzanti	S10-OZL-58
Klares Schutzglas Clear protective glass Verre de protection transparent Vetro di protezione trasparente	S10-SGL-58
Weichzeichnerglass Blur glass Verre effet flou Vetro con effetto sfocatura	S10-WGL-58

zenit S inset pure 3

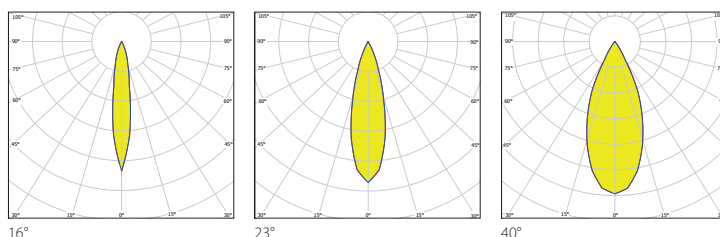
Strahler | Spotlight | Projecteur | Proiettore



Flexibility: rotatable up to 355°, adjustable up to 90°



Reflektortausch werkzeuglos möglich.
 Passive Kühlung. Komplettrahler inklusive Reflektor und Konverter.
 Replacement of the reflector without any tools.
 Passive cooling. Complete spotlight including reflector and converter.
 Remplacement du réflecteur sans outil.
 Refroidissement passif. Projecteur complet incluant réflecteur et convertisseur.
 Sostituzione del riflettore senza utensili.
 Raffreddamento passivo. Proiettore completo incluso riflettore e convertitore.



Housing

Powder coated die-cast aluminium

230V IP20 $R_g > 80/90$ up to L90/50.000h MacAdam 3 DALI



LED

2700K, 3000K, 3500K, 4000K

up to 117lm/W

$R_g > 80/90$, MacAdam 3

non-dim/DALI dim

Blue light hazard: $RG \leq 1$ IEC 62471

Lifetime

up to L90/50.000h

Optic

Reflector: 16°, 23°, 40°

Options

Honeycomb glare protection, Oval spot lens, Clear protective glass, Blur glass

Flexibility

rotatable up to 355°, adjustable up to 90°



1 Spots

1 Spot	1
2 Spots	2

2 Entblendvorsatz | Anti-glare attachment

Module anti-éblouissement | Modulo anti-abbagliamento

gold gold or oro	G
schwarz black noir nero	S

3 Gehäusefarbe | Housing colour | Couleur du luminaire | Colore profilo

weiß white blanc bianco	W
schwarz black noir nero	S

4 Farbe Blindabdeckung | Blank cover colour pure 3

Couleur du cache opaque pure 3 | Colore elemento di chiusura pure 3

weiß white blanc bianco	WS
schwarz black noir nero	SW
silber silver argent argento	SI

5 Farbtemperatur | Colour temperature | Température de couleur | Temperatura colore

LF830 3000 K	830
LF840 4000 K	840
LF927 2700 K	927
LF930 3000 K	930
LF935 3500 K	935
LF940 4000 K	940

6 Output

low output	L
high output	H

7 non-dim, DALI dim

non-dim	1
DALI	3

8 Reflektor | Reflector | Réflecteur | Riflettore

16°	1
23°	2
40°	4

Beispiel | Example | Exemple | Esempio

2 Spots black, anti-glare cone gold, LF940, high output, DALI dim, 23°, blank cover pure 3 in white

P33-Z2S-GSWS940H32

Luminous Flux (lm) *	low output		high output		low output		high output		low output		high output	
	16°		16°		23°		23°		40°		40°	
	gold	black	gold	black	gold	black	gold	black	gold	black	gold	black
LF830 3000 K	820 lm	796 lm	1161 lm	1127 lm	784 lm	761 lm	1112 lm	1079 lm	768 lm	746 lm	1088 lm	1056 lm
LF840 4000 K	859 lm	834 lm	1217 lm	1181 lm	825 lm	801 lm	1172 lm	1138 lm	803 lm	779 lm	1139 lm	1106 lm
LF927 2700 K	644 lm	625 lm	913 lm	887 lm	623 lm	605 lm	881 lm	855 lm	609 lm	591 lm	862 lm	837 lm
LF930 3000 K	672 lm	653 lm	933 lm	906 lm	646 lm	627 lm	903 lm	877 lm	631 lm	613 lm	878 lm	852 lm
LF935 3500 K	704 lm	683 lm	987 lm	958 lm	679 lm	659 lm	952 lm	924 lm	660 lm	641 lm	925 lm	898 lm
LF940 4000 K	713 lm	692 lm	988 lm	960 lm	686 lm	666 lm	943 lm	916 lm	667 lm	647 lm	921 lm	895 lm

System Power (W) *

	low output	high output
zenit S	7W	11W

Weight (kg) *

zenit S	0,3 kg
---------	--------



Optionales Zubehör | Optional accessory | Accessoire optionnel | Accessori opzionali

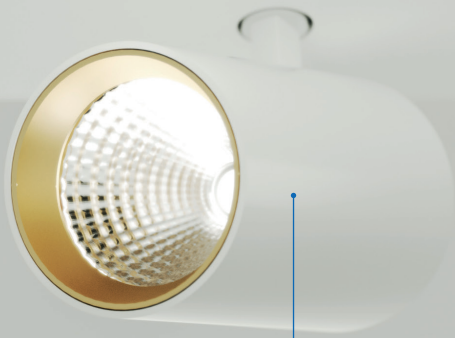
Blendschutz-Wabenraster Honeycomb glare protection Filtre anti-éblouissement nid d'abeilles Filtro anti-abbagliamento a nido d'ape	S10-BLE-58
Ovalzeichnerlinse Oval spot lens Lentille ovalisante Lenti ovalizzanti	S10-OZL-58
Klares Schutzglas Clear protective glass Verre de protection transparent Vetro di protezione trasparente	S10-SGL-58
Weichzeichnerglas Blur glass Verre effet flou Vetro con effetto sfocatura	S10-WGL-58

* figures per single spot

zenit S inset pure 3

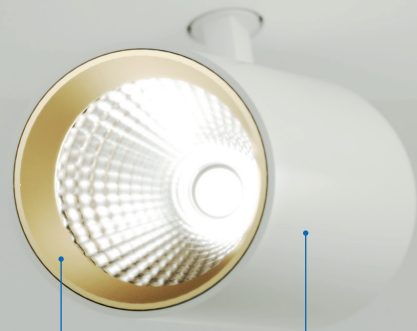
VARIATIONS





1 Spots

1 Spot	1
2 Spots	2



2 Entblendvorsatz | Anti-glare attachment
Module anti-éblouissement | Modulo anti-abbagliamento

gold gold or oro	G
schwarz black noir nero	S

3 Gehäusefarbe
Housing colour
Couleur du luminaire
Colore profilo

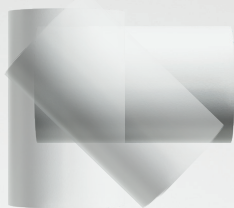
weiß white blanc bianco	W
schwarz black noir nero	S

4 Farbe Blindabdeckung | Blank cover colour | Couleur du cache opaque | Colore elemento di chiusura pure 3

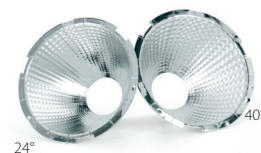
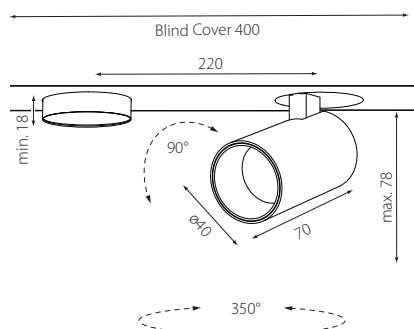
weiß white blanc bianco	WS
schwarz black noir nero	SW
silber silver argent argento	SI

zenit XS inset pure 3

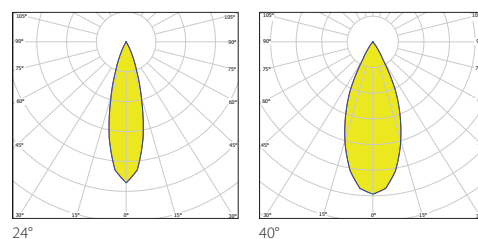
Strahler | Spotlight | Projecteur | Proiettore



Flexibility: rotatable up to 350°, adjustable up to 90°



Reflektortausch werkzeuglos möglich.
 Passive Kühlung. Komplettrahler inklusive Reflektor und Konverter.
 Replacement of the reflector without any tools.
 Passive cooling. Complete spotlight including reflector and converter.
 Remplacement du réflecteur sans outil.
 Refroidissement passif. Projecteur complet incluant réflecteur et convertisseur.
 Sostituzione del riflettore senza utensili.
 Raffreddamento passivo. Proiettore completo incluso riflettore e convertitore.



Housing

Powder coated die-cast aluminium

230V IP20 R_a>80/90 up to L90/50.000h MacAdam 3 DALI



LED

2700K, 3000K, 4000K

up to 69lm/W

R_a>80/90, MacAdam 3

non-dim/DALI dim

Blue light hazard: RG≤1 IEC 62471

Lifetime

up to L90/50.000 h

Optic

Reflector: 24°, 40°

Options

Honeycomb glare protection, Oval spot lens, Blur glass

Flexibility

rotatable up to 350°, adjustable up to 90°



1 Spots

1 Spot	1
2 Spots	2

2 Entblendvorsatz | Anti-glare attachment

Module anti-éblouissement | Modulo anti-abbagliamento

gold gold or oro	G
schwarz black noir nero	S

3 Gehäusefarbe | Housing colour | Couleur du luminaire | Colore profilo

weiß white blanc bianco	W
schwarz black noir nero	S

4 Farbe Blindabdeckung | Blank cover colour pure 3

Couleur du cache opaque | Colore elemento di chiusura pure 3

weiß white blanc bianco	WS
schwarz black noir nero	SW
silber silver argent argento	SI

5 Farbtemperatur | Colour temperature | Température de couleur | Temperatura colore

LF830 3000 K	830
LF840 4000 K	840
LF927 2700 K	927
LF930 3000 K	930
LF940 4000 K	940

6 non-dim, DALI dim

non-dim	1
DALI	3

7 Reflektor | Reflector | Réflecteur | Riflettore

24°	2
40°	4

Beispiel | Example | Exemple | Esempio

1 Spot white, anti-glare cone black, LF930, high output, non-dim, 40°, blank cover pure 3 in white

P33-Z2XS-SWWS930H14

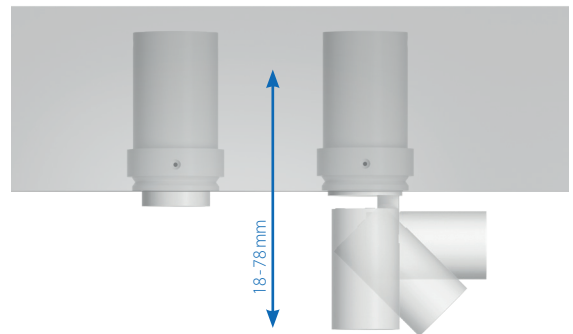
Luminous Flux (lm) *	24°		40°	
	gold	black	gold	black
LF830 3000 K	507 lm	453 lm	496 lm	443 lm
LF840 4000 K	529 lm	473 lm	518 lm	463 lm
LF927 2700 K	380 lm	340 lm	373 lm	333 lm
LF930 3000 K	404 lm	361 lm	395 lm	353 lm
LF940 4000 K	433 lm	387 lm	423 lm	378 lm

System Power (W) *

zenit XS	7W
----------	----

Weight (kg) *

zenit XS	0,3 kg
----------	--------



Optionales Zubehör | Optional accessory | Accessoire optionnel | Accessori opzionali

Blendschutz-Wabenraster Honeycomb glare protection Filtre anti-éblouissement nid d'abeilles Filtro anti-abbagliamento a nido d'ape	S10-BLE-40
Ovalzeichnerlinse Oval spot lens Lentille ovalisante Lenti ovalizzanti	S10-OZL-40
Weichzeichnerglas Blur glass Verre effet flou Vetro con effetto sfocatura	S10-WGL-40

* figures per single spot

zenit XS inset pure 3

VARIATIONS



1 Spots

1 Spot	1
2 Spots	2

2 Entblendvorsatz | Anti-glare attachment
Module anti-éblouissement | Modulo anti-abbagliamento

gold gold or oro	G
schwarz black noir nero	S

3 Gehäusefarbe
Housing colour
Couleur du luminaire
Colore profilo

weiß white blanc bianco	W
schwarz black noir nero	S

4 Farbe Blindabdeckung | Blank cover colour | Couleur du cache opaque | Colore elemento di chiusura pure 3

weiß white blanc bianco	WS
schwarz black noir nero	SW
silber silver argent argento	SI

in use ...

zenit M

→ Intersport Strasser
Zell am Ziller/Austria





Piktogramme

Pictograms | Pictogrammes | Pictogramma



Protection class I



Pan



CE marking



Tilt



Minimum distance to illuminated surface



Electronic converter included

Wichtige Hinweise

Dieser Katalog richtet sich ausschliesslich an gewerbliche Kunden. Die in diesem Katalog angegebenen Werte sind Bemessungswerte und unterliegen produktionsbedingten Toleranzen*. Alle angeführten Angaben – insbesondere Grössen-, Material-, Farb- und technische Angaben – entsprechen dem Stand bei und dienen ausschliesslich zur Information. Der Herausgeber haftet nicht für Satz- und Druckfehler sowie für Abweichungen der Produkte von Abbildungen und Angaben. planlicht behält sich vor, jederzeit ohne Ankündigung Änderungen an Produkten vor zu nehmen. Es gelten die Allgemeinen Geschäftsbedingungen der planlicht GmbH & Co KG, die unter www.planlicht.com eingesehen werden können.

* Leistung, Lichtstrom und Farbtemperatur unterliegen durch den Einsatz von elektronischen Bauteilen produktionsbedingten Toleranzen.
Toleranzen Leistung und Lichtstrom: +/- 10%. Toleranz Farbtemperatur: +/- 150K

Important remarks

This catalogue is reserved for professionals only. The values published in this catalogue are rated values, which can slightly change for reasons related to the production process*. The published data such as dimensions, materials, colours and technical data are valid at time of printing, and exclusively provided for informational purposes. The editor take no responsibility for typographical and print errors, as well as for any differences in the products, pictures and data. planlicht reserves the right to change the products at any time and without any notice. The Terms and Conditions of planlicht GmbH & Co KG (available on www.planlicht.com) shall apply.

* The power output, luminous flux and colour temperature can be slightly different due to specific electronic components used in the manufacturing process. The power output and luminous flux can differ by +/- 10%. The colour temperature can differ by +/-150K.

Remarques importantes

Ce catalogue est exclusivement destiné aux professionnels. Les valeurs publiées dans ce catalogue sont des valeurs calculées, pouvant légèrement changer pour des raisons liées au processus de fabrication*. Les données techniques et autres informations (dimensions, matériaux, couleurs...) sont celles applicables au moment de l'impression du catalogue, et uniquement fournies à titre informatif. L'éditeur décline toute responsabilité en cas d'erreur de frappe, d'impression et pour tout autre différence concernant les produits, images et données publiées. planlicht se réserve le droit de modifier les produits à sa discrétion, à tout moment et sans préavis. Les conditions générales de vente de planlicht GmbH & Co KG applicables sont consultables sur www.planlicht.com.

* La puissance, le flux lumineux et la température de couleur peuvent légèrement différer en raison de l'utilisation de composants électroniques spécifiques dans le processus de production. La puissance et le flux lumineux peuvent différer de +/- 10 %. La température de couleur peut différer de +/- 150K.

Informazioni importanti

Questo catalogo é riservato ai professionisti. I valori pubblicati in questo catalogo sono valori indicativi, che possono cambiare per ragioni relative al processo produttivo. I dati pubblicati come dimensioni, materiali, colori e dati tecnici sono validi al momento della stampa ed esclusivamente forniti come scopo informativo. L'editore non si assume alcuna responsabilità per errori di tipografia e stampa, così come differencenei prodotti, foto e dati. planlicht si riserva il diritto di cambiare il prodotto in ogni momento e senza preavviso. I termini e condizioni di planlicht GmbH & CO KG sono disponibili su www.planlicht.com.

* La Potenza, il flusso Luminoso e la temperatura colore possono essere leggermente diversi a causa delle componenti elettroniche usate nel processo di produzione. La potenza e il flusso possono variare del +/- 10%. La temperatura colore di +/- 150K



Headquarters & Production

6134 Vomp, Austria, Au 25
Tel. +43-5242-71608, Fax +43-5242-71283
info@planlicht.com, www.planlicht.com

IMPRINT & CREDITS

Publisher: planlicht GmbH & Co KG, Vomp

Concept & layout: Martin Fankhauser

Photography, image editing & illustrations:

Wildruf, Christian Jakl, Martin Fankhauser

Rendering: Wildruf Form

Translations: Ingrid Bolley, Brian Cribben, Massimiliano Valli



planlicht GmbH & Co KG
Au 25, 6134 Vomp, Austria
+43-5242-71608
info@planlicht.com
www.planlicht.com

